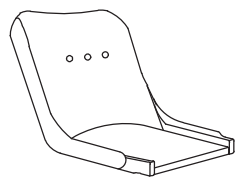
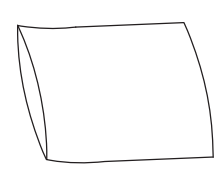
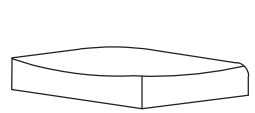




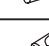
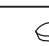
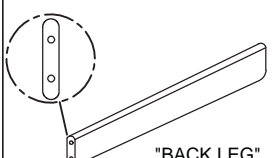
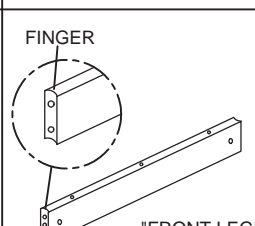
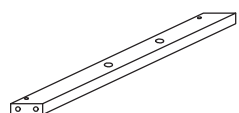
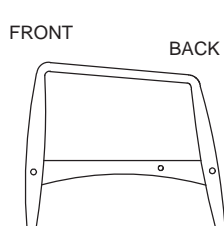








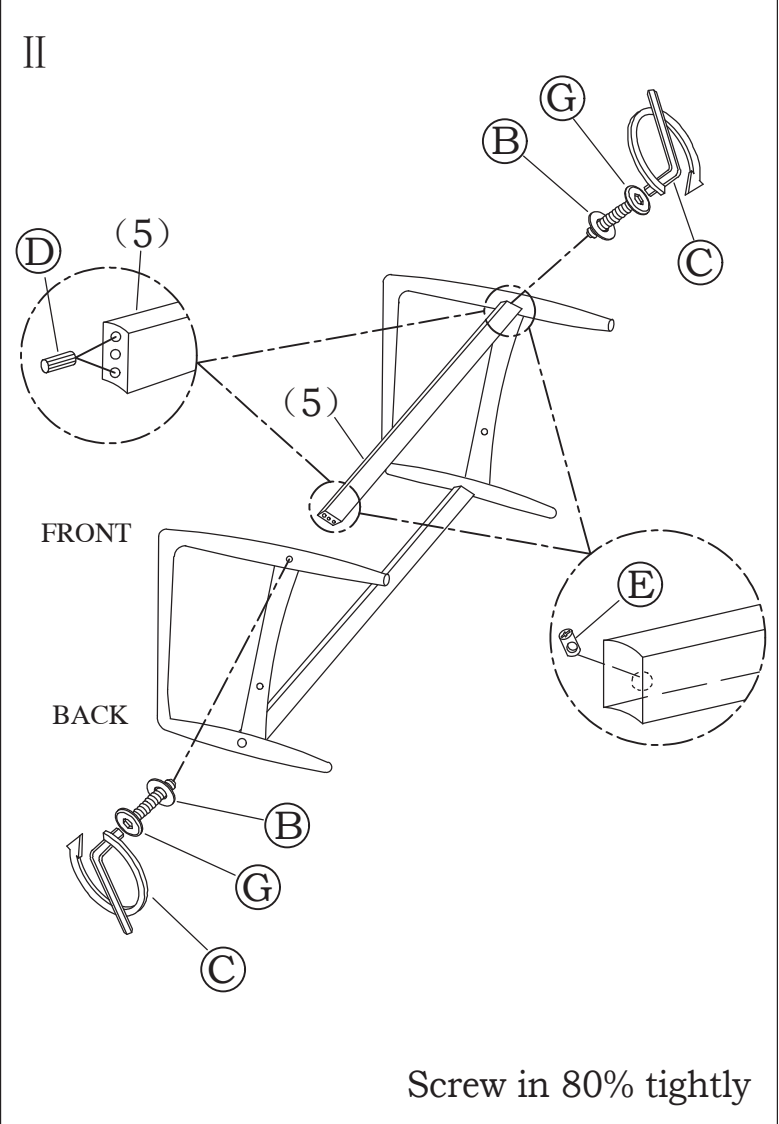
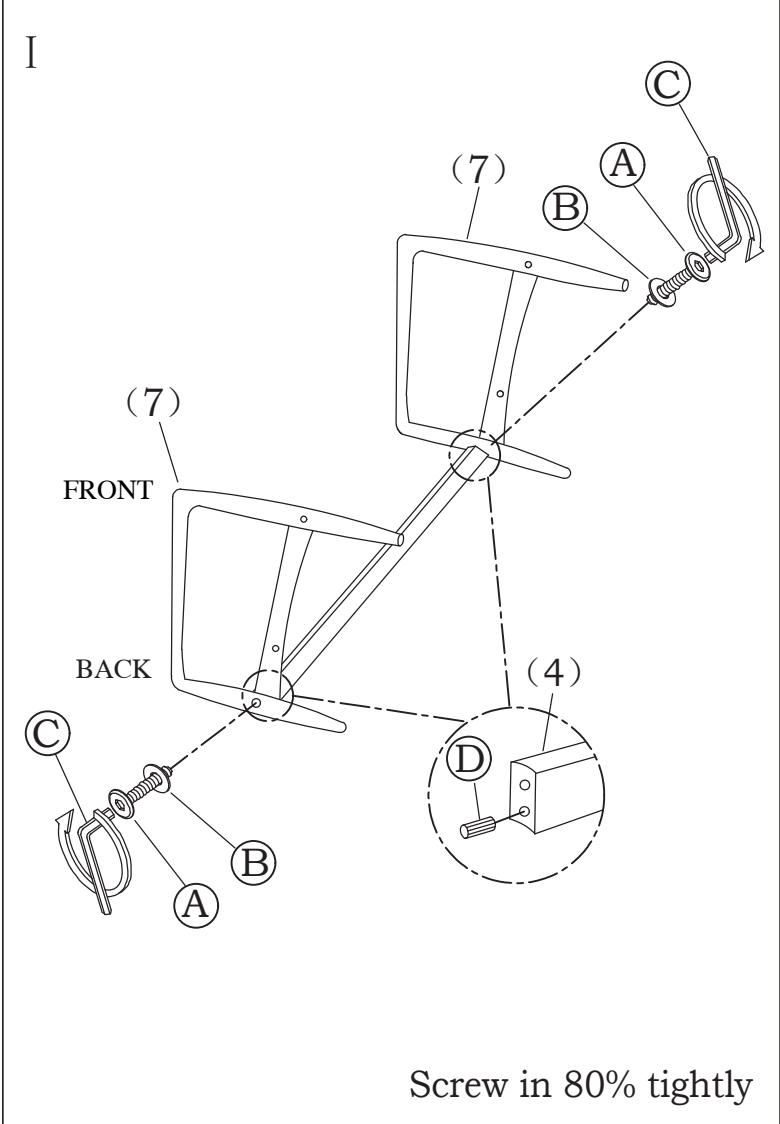
ITEM NAME / NOM D'ITEM: BULLY LOUNGE CHAIR

ITEM # / NO.ITEM: 100534A/100535A/100536A

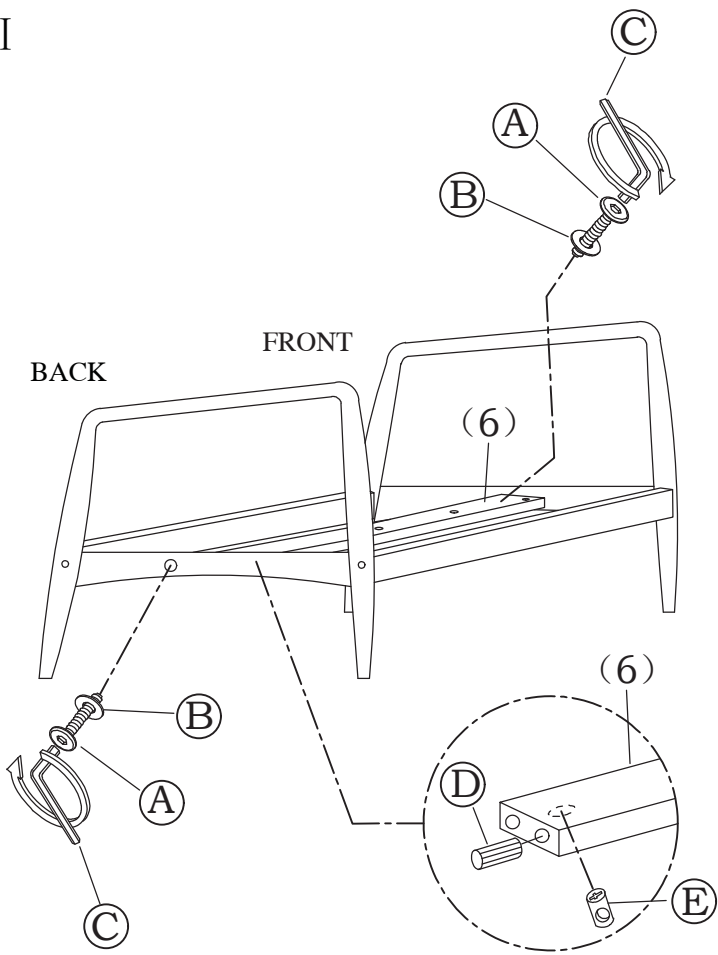
PARTS LIST / LISTE DES PIÈCES

(1)	(2)	(3)	(8)	
 ×1	 ×1	 ×1	A. M8 X 60MM  x4	
			B. Ø8MM  x8	
			C. M5  x1	
			D. Ø10 X 40MM  x8	
			E. Ø8 X 18MM  x4	
(4)	(5)	(6)	(7)	F. 18.5MM  x6
 "BACK LEG" ×1 (finger)	 "FRONT LEG" ×1 (finger)	 ×1 (flat)	 FRONT BACK ×2	G. M8 X 80MM  x2
				H. Ø4 X 45MM  x3
				I. PASTE PAD  x4
				J. M6 X 45MM  x2
				K. Ø6MM  x2
				L. M4  x1

ASSEMBLY INSTRUCTIONS / INSTRUCTIONS D'ASSEMBLAGE

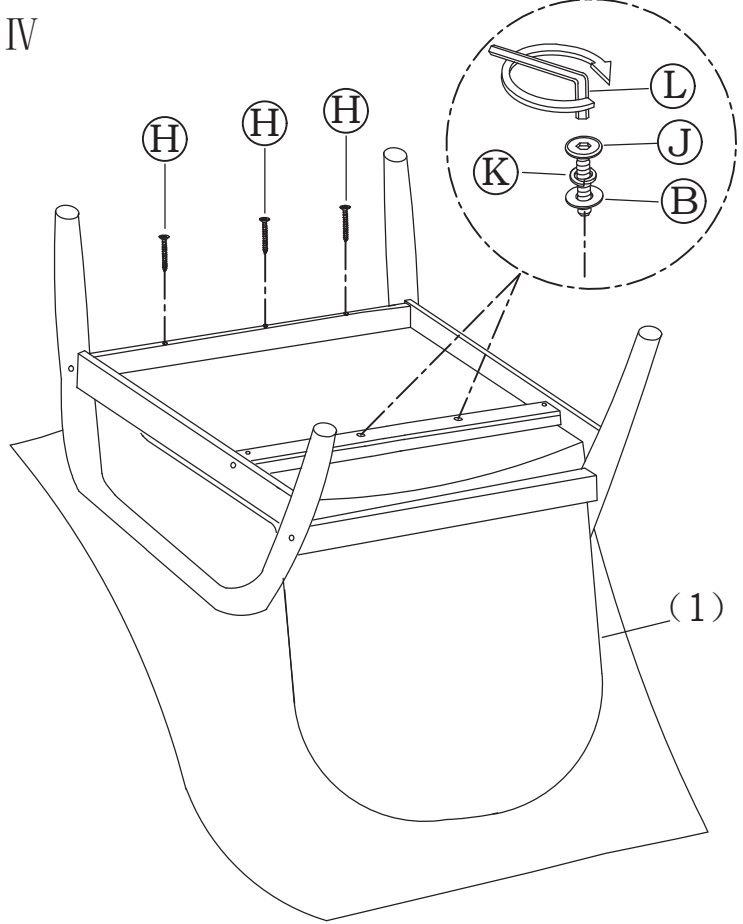


III



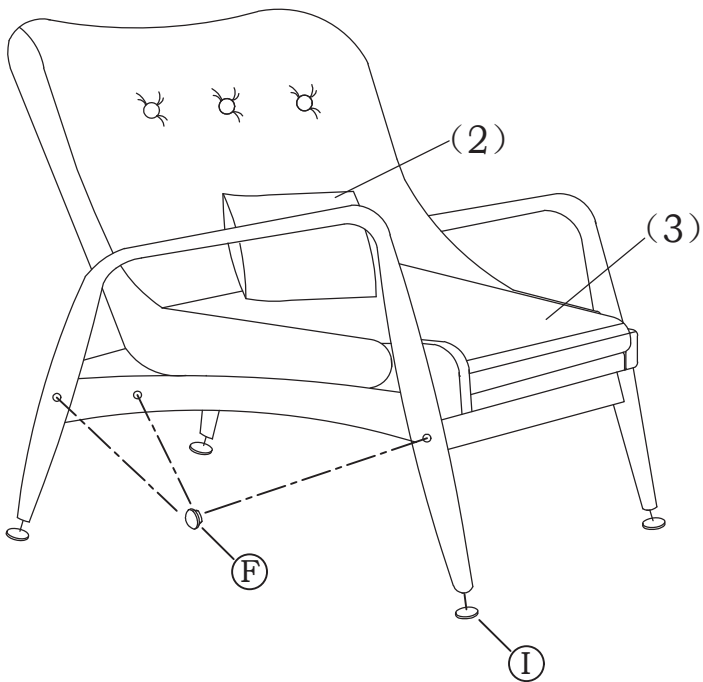
Screw in 80% tightly

IV

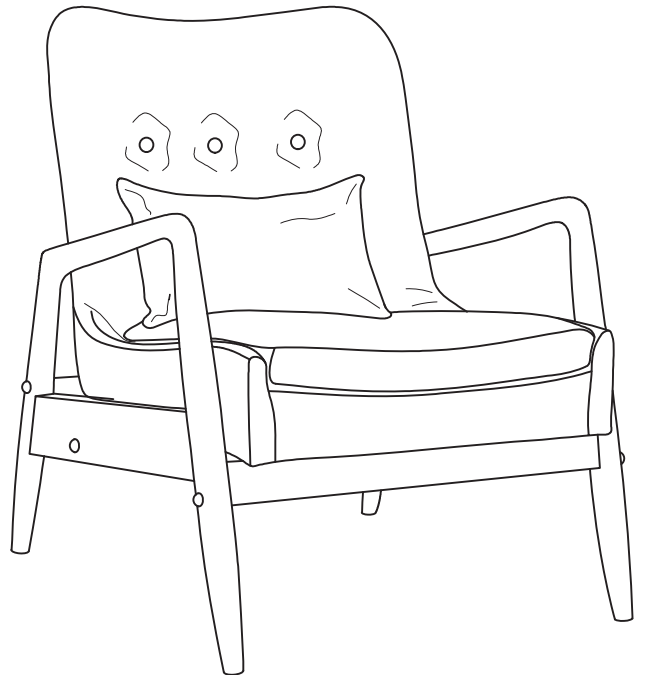


Flip frame over 180 degrees and shift (1) underneath frame.
Tighten all screws in frame
after screwing in cushion.

V



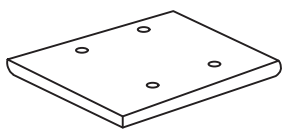
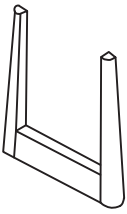









VI



ITEM NAME / NOM D'ITEM: BULLY OTTOMAN

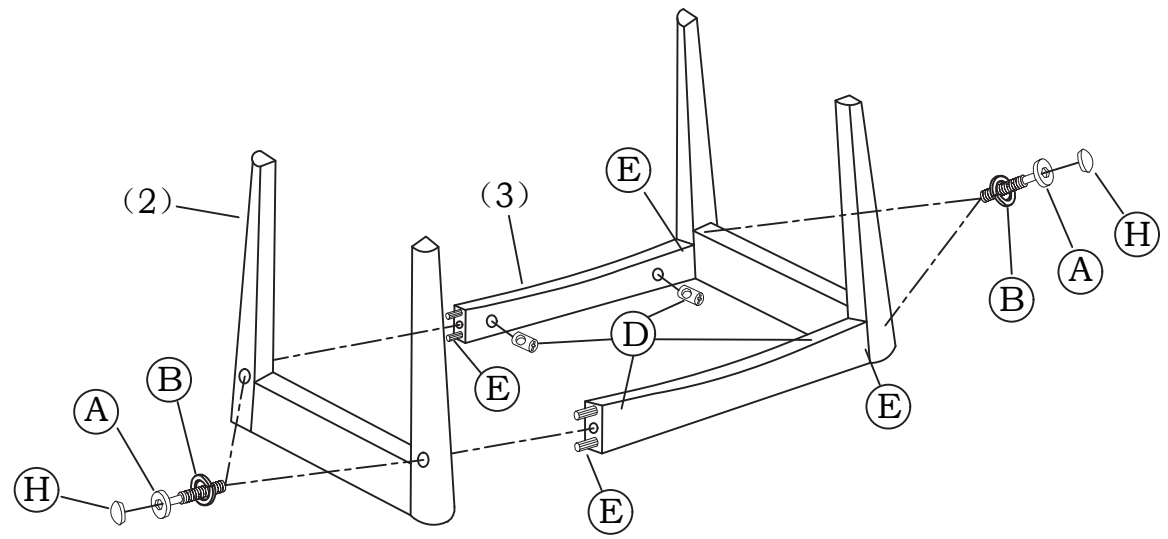
ITEM # / NO.ITEM: 100534B/100535B/100536B

PARTS LIST / LISTE DES PIÈCES

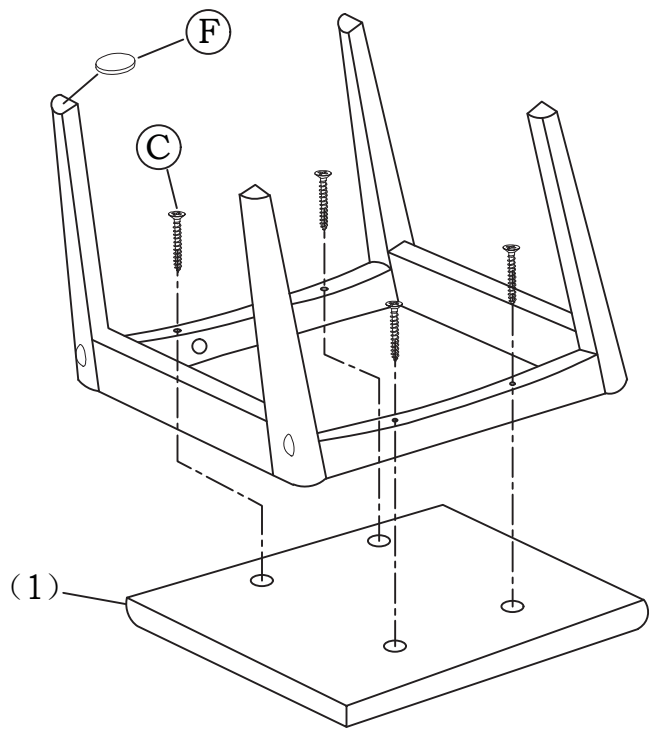
(1)	(2)	(3)	(4)	
 <p>×1</p>	 <p>×2</p>	 <p>×2</p>	A. M6X60MM  x4	G. M4  x1
			B. Ø6  x4	H. WOOD BUTTON  x4
			C. Ø4X32MM  x4	
			D. Ø6  x4	
			E. Ø10X40MM  x8	
			F. PASTE PAD  x4	

ASSEMBLY INSTRUCTIONS / INSTRUCTIONS D'ASSEMBLAGE

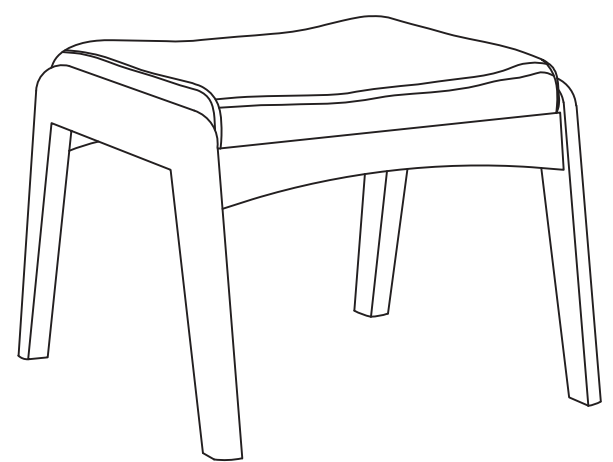
I



II



III



For missing parts or damaged parts, please call /
 Pour pièce manquante ou endommagée, veuillez appeler:

USA, Canada and Mexico : (866)798-6663

AI-V6-221104