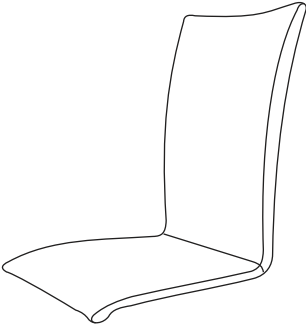
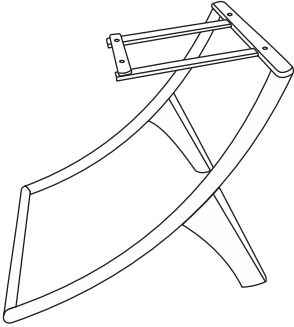




ITEM NAME /NOM D' ITEM:DELFIN CHAIR

ITEM # /NO. ITEM:102101 (BLACK/NOIR)

Enquiry:parts@zuomod.com

PART LIST/Liste des pièces

(1)	(2)	(3)
 <p data-bbox="159 1015 502 1048">μ E X1</p>	 <p data-bbox="957 1000 1002 1033">X1</p>	<p data-bbox="1077 618 1516 650">1.  X4 8*20mm</p> <p data-bbox="1077 923 1364 967">2.  X1</p>

INSTRUCTION

A

