











**ITEM NAME/NOM D'ITEM: BRAXTON DINING CHAIR**  
**ITEM #/NO. ITEM: 101562/109210**

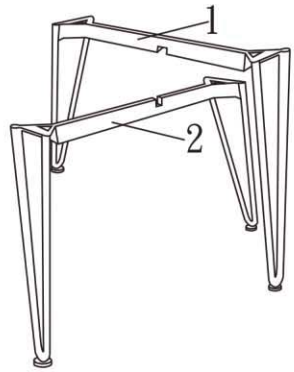
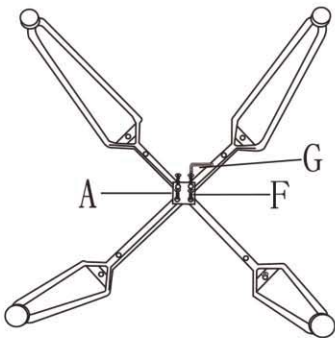
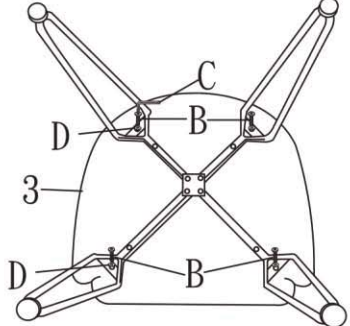
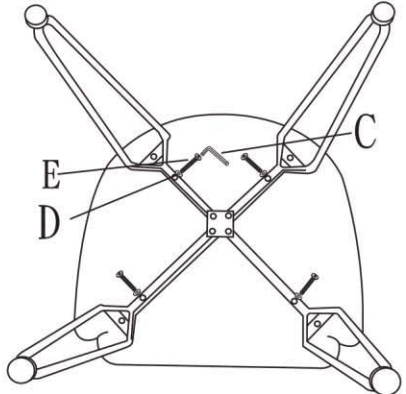

## PARTS LIST/LISTE DES PIÈCES

(1)	(2)	(3)
		
x1	x1	x1

(4)

A.  50mm x1	B.  M6 x 20mm x4	C.  5mm x1	D.  Ø6mm x8
E.  M6 x 50mm x4	F.  M6 x 16mm x4	G.  4mm x1	

## ASSEMBLY INSTRUCTIONS/INSTRUCTIONS D'ASSEMBLAGE

<p>I.</p> 	<p>II.</p> 	<p>III.</p> 
<p>IV.</p> 	<p>V.</p> 	

For missing parts or damaged parts, please call

USA : 1-866-798-6663

Canada : 514-382-6661

AI-V6-210226