

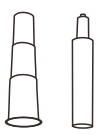

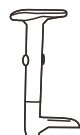
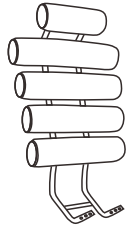
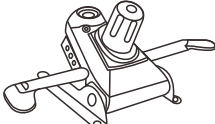























ITEM NAME /NOM D' ITEM:UNICO OFFICE CHAIR

ITEM # /NO. ITEM:205050 (BLACK/NOIR)

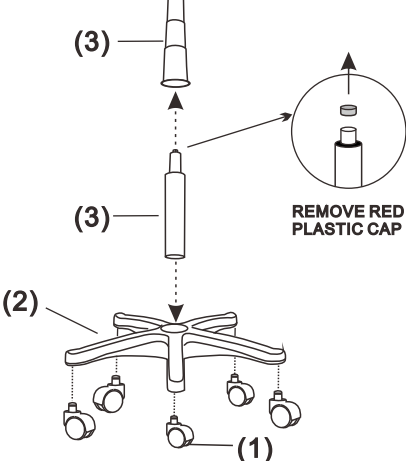
Enquiry:parts@zuomod.com

PART LIST/Liste des pièces

<p>(1)</p>  <p>X5</p>	<p>(2)</p>  <p>X1</p>	<p>(3)</p>  <p>X1</p>	<p>(4)</p>  <p>X1</p>																												
<p>(5)</p>  <p>X2</p>	<p>(6)</p>  <p>X1</p>	<p>(7)</p>  <p>X1</p>	<p>(8)</p> <table border="0"> <tr> <td>1.</td> <td></td> <td>X8</td> <td>6*30mm</td> </tr> <tr> <td>2.</td> <td></td> <td>X2</td> <td>6*20mm</td> </tr> <tr> <td>3.</td> <td></td> <td>X6</td> <td>8*16mm</td> </tr> <tr> <td>4.</td> <td></td> <td>X10</td> <td>6mm</td> </tr> <tr> <td>5.</td> <td></td> <td>X6</td> <td>8mm</td> </tr> <tr> <td>6.</td> <td></td> <td>X1</td> <td>5mm</td> </tr> <tr> <td>7.</td> <td></td> <td>X1</td> <td>6mm</td> </tr> </table>	1.		X8	6*30mm	2.		X2	6*20mm	3.		X6	8*16mm	4.		X10	6mm	5.		X6	8mm	6.		X1	5mm	7.		X1	6mm
1.		X8	6*30mm																												
2.		X2	6*20mm																												
3.		X6	8*16mm																												
4.		X10	6mm																												
5.		X6	8mm																												
6.		X1	5mm																												
7.		X1	6mm																												

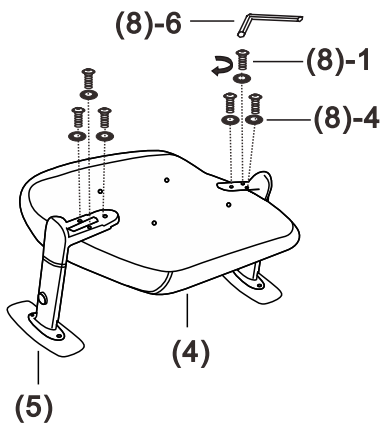
INSTRUCTION

A

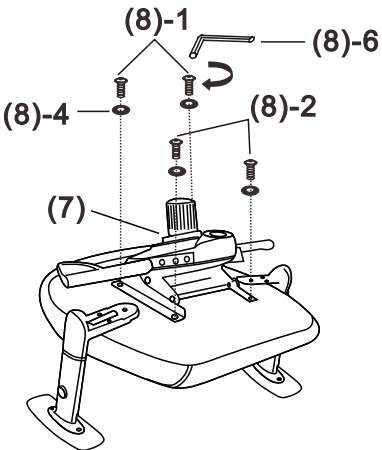


REMOVE RED PLASTIC CAP

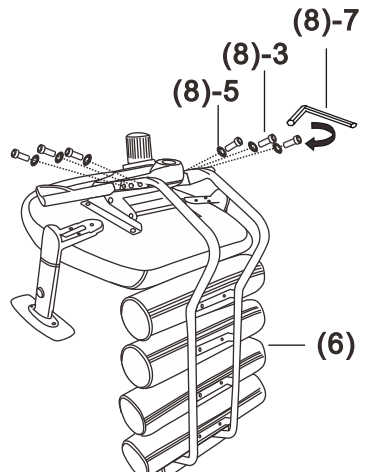
B



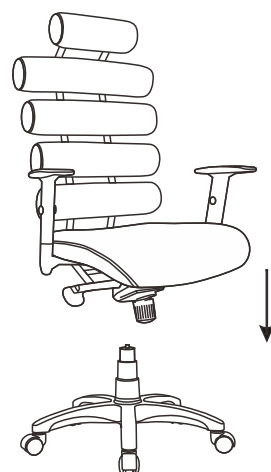
C



D



E



G

