

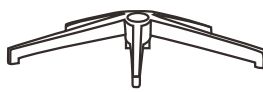











ITEM NAME /NOM D' ITEM: BOUTIQUE OFFICE CHAIR

ITEM # /NO. ITEM: 205890 (BLACK/NOIR)

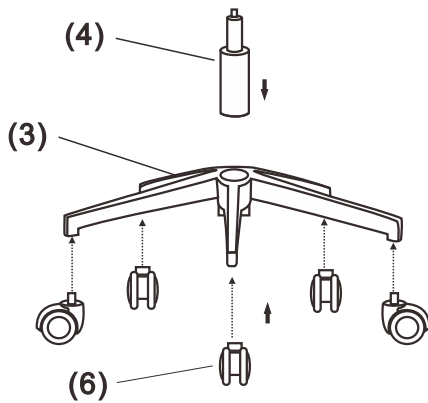
Enquiry: parts@zuomod.com

PART LIST/Liste des pièces

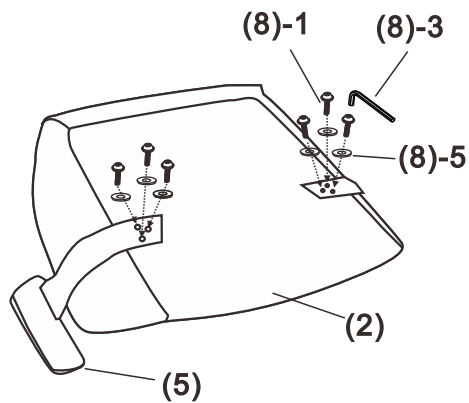
(1)	(2)	(3)	(4)
 X1	 X1	 X1	 X1
(5)	(6)	(7)	(8)
 X2	 X5	 X1	<ul style="list-style-type: none"> 1.  X10 M6*25mm 2.  X3 M8*16mm 3.  X1 M6 4.  X1 M8 5.  X10

INSTRUCTION

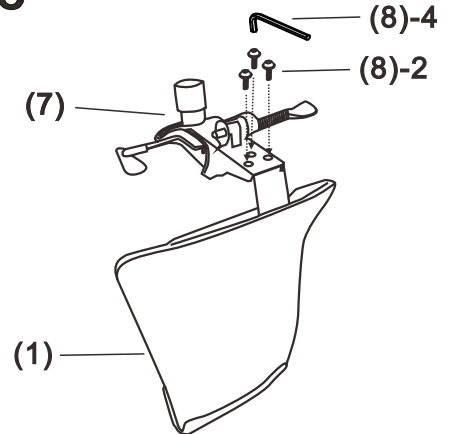
A



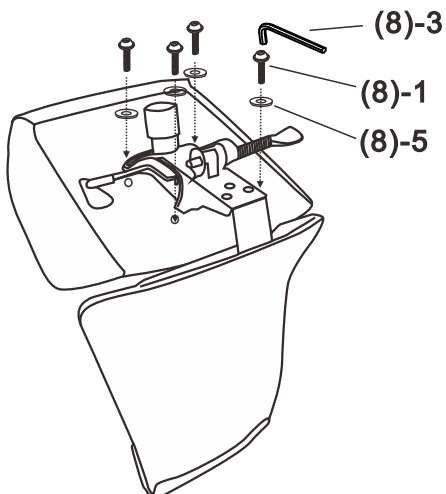
B



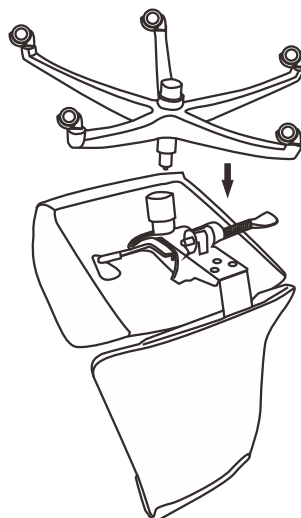
C



D



E



F

