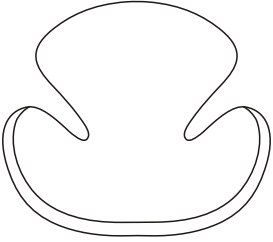

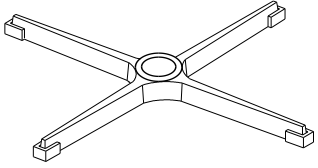


ITEM NAME /NOM D' ITEM:PORI ARM CHAIR

ITEM # /NO. ITEM:500314 (WHITE/BLANC)

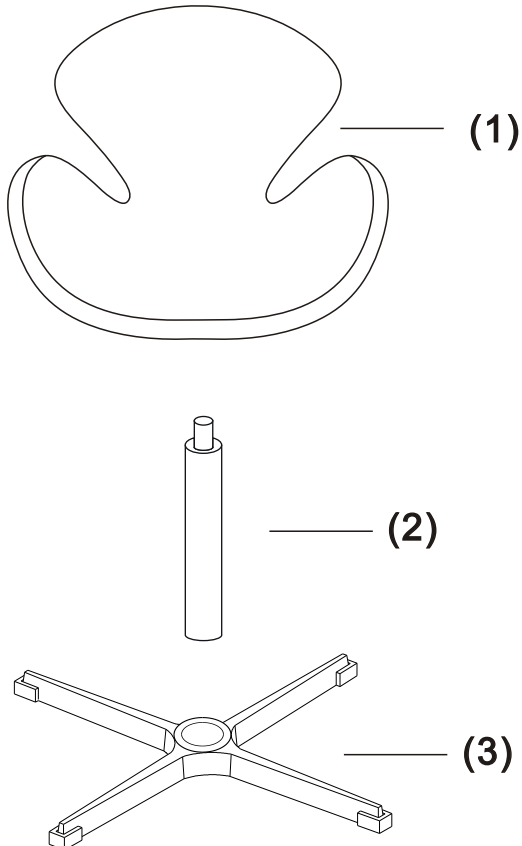
Enquiry:parts@zuomod.com

PART LIST/Liste des pièces

(1)	(2)	(3)
 <p>X1</p>	 <p>X1</p>	 <p>X1</p>

INSTRUCTION

A



B

